

Highly Accurate Digital Pyrometer with Extended Sensor Head, Inbuilt LCD & Keypad for Parameterization

CE 0°C to 800°C

AST EL50 is a digital pyrometer with extended sensing head in 4 wire technology for non-contact temperature measurement between 0°C and 800°C.

The sensor head is unaffected by electromagnetic interferences. The pyrometer is equipped with a display which shows the current temperature in measuring mode. Additionally all parameters can be read and changed via integrated keys.

AST EL50 is provided with USB output and PC software. The pyrometer can be powered through USB port. In this case no external power supply is required +24 V DC requires for Operation of Analog Output, RS - 232 & RS - 485 & Relay Output.

Analog output is 4...20mA, 0...20mA, 0...10V, thermocouple type "K" or "J" (user selectable) via keypad or software. Serial interface RS-485 & RS-232 is available as optional. The provided software can be used for remote parameter setting and data logging.

AST EL50



Standard Scope of Supply

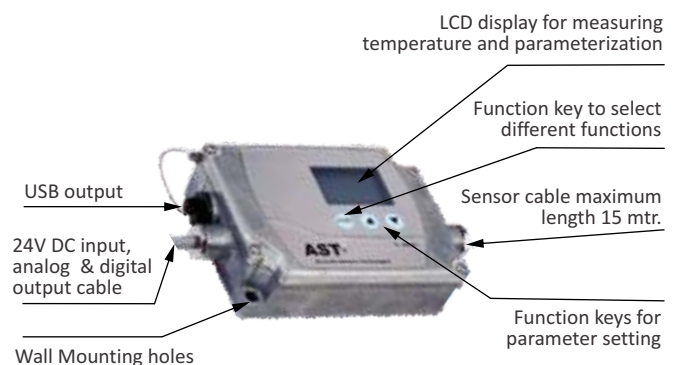
AST EL50 with LCD Display and keypad for parameterizing, sensor head with 3 m cable, USB Output, 1 Relay Output, USB Cable, Analog output 4...20mA, 0...20mA, 0...10V, thermocouple type "K" or "J" (user selectable).

Technical Specifications

Model	AST EL50
Measured Temperatures Range (Analog output sub range adjustable)	0°C - 800°C
Spectral Range	8.....14µm
Photodetector Type	Thermopile
Distance to spot size ratio	2:1 or 15:1 (To be specified while ordering)
Response Time	20msec adjustable upto 10s
Accuracy	+/-1.5% of temperature reading or +2°C (Sensor head should be at constant ambient temperature)
Repeatability	0.1% of reading in °C +1°C
Emmissivity	0.1 1 adjustable
Operating Temperature Range	Electronic box 70°C Sensor head upto 120°C
Analog Output	4-20mA, 0-20mA, 0-10V Thermocouple Type "K" or "J" user selectable
Digital Output	USB 2.0 RS - 485 & RS - 232 (Optional)
Relay Output	1 Relay output with hysteresis 60 VDC/ 42 VACRMS, 0,4A
Power Supply	24 V DC
Resolution	0.1 K
Storage temperature	-20 to +70 °C
Dimensions & weight	112.5 x 82.5 x 33 (L x W x D), 600g
Protection class	IP 65
Adjustable Parameters via Keypad / software	Emissivity, Analog output, Address, Response time, Peak picker, Analog output Sub Range.

Optional

- Sensor head extension cable (upto 15 m)
- RS-232 & RS-485 interface card



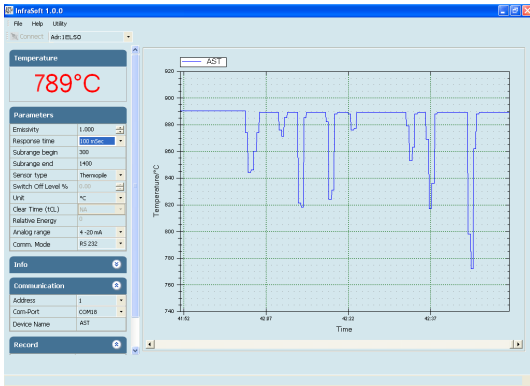
Features

- Wide temperature ranges (0°C to 800°C)
- in-built LCD
- Parameter can be adjusted via integrated keypad or Software
- User selectable analog output 0/4-20mA, 0-10V, thermocouple type "K" or "J"
- RS-232 & RS-485 Isolated (Optional)
- USB 2.0
- Relay output

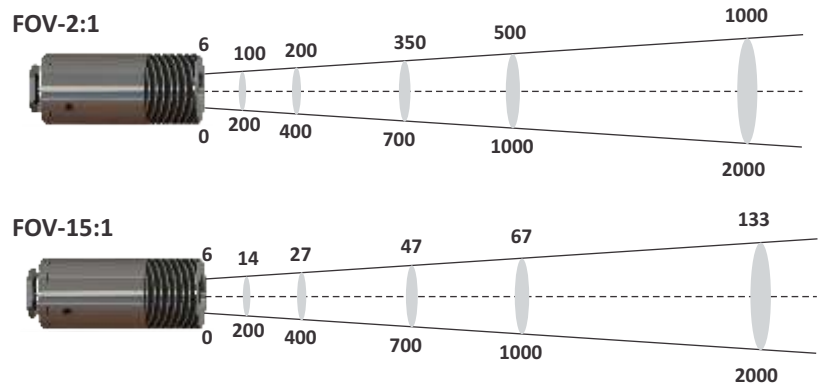
Applications

- Plastic, Rubber & Ceramic
- Paper
- Textile
- Fluids
- Oxide/Painted metal surface,
- Wood and Glass Industries

Software "Infrasoft"

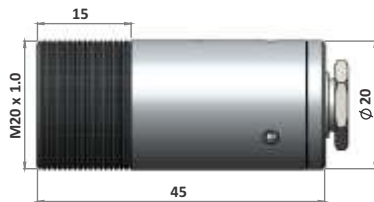


Spot Size

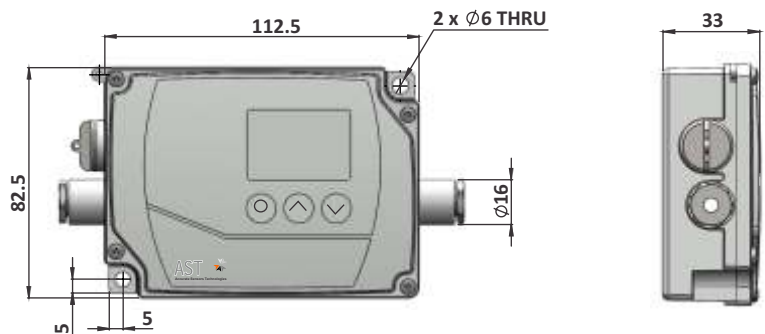


*All Dimensions are in "mm".

Drawings



Sensing Head



Electronics

Accessories



Air Purge Unit For Optical Head
(Reference No. - 8300-03)



Adjustable Mounting for Optical Head
(Reference No. - 8300-04)



Converter RS-232 ↔ RS-485
(Reference no: 9000-03)



Power Supply Unit
(Reference no: 9000-02)

Tempsens instruments (I) Pvt. Ltd.

B-188A, Road No.5, M.I.A., Udaipur-313003 (Rajasthan) INDIA

Ph.:+91-294-3057700 to 800, Fax.:+91-294-3057750

Email: info@tempsens.com

